

Whistle Notch Adaptors

Fig 1

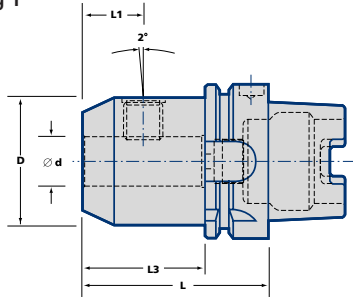
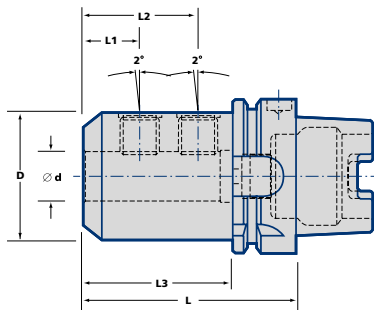


Fig 2



Balanced by Design

Taper	Ordering No.	Stock	fig	d	D	L	L1	L2	L3
32	HSK32A-WN06-080	○	1	6	25	80	18	-	36
	HSK32A-WN08-080	○	1	8	28	80	18	-	36
	HSK32A-WN10-080	○	1	10	35	80	20	-	40
40	HSK40A-WN06-080	○	1	6	25	80	18	-	36
	HSK40A-WN08-080	○	1	8	28	80	18	-	36
	HSK40A-WN10-080	○	1	10	35	80	20	-	40
	HSK40A-WN12-090	○	1	12	42	90	22.5	-	45
	HSK40A-WN14-090	○	1	14	44	90	22.5	-	45
	HSK40A-WN16-090	○	1	16	48	90	25	-	48
50	HSK50A-WN06-080	●	1	6	25	80	18	-	36
	HSK50A-WN08-080	●	1	8	28	80	18	-	36
	HSK50A-WN10-080	●	1	10	35	80	20	-	40
	HSK50A-WN12-090	●	1	12	42	90	22.5	-	45
	HSK50A-WN14-090	●	1	14	44	90	22.5	-	45
	HSK50A-WN16-090	●	1	16	48	90	24	-	48
	HSK50A-WN18-090	●	1	18	50	90	24	-	48
	HSK50A-WN20-100	●	1	20	52	100	25	-	50

Spare Parts

Sidelock Screws



See page 139

Stopscrew



See page 139

Coolant Tubes and Wrenches - page 134

● = Standard Product - Normally Ex Stock
○ = Standard Product - Availability on Request

Packing unit and ordering example: 1 piece HSK32A-WN06-080

Whistle Notch Adaptors... cont/d

Fig 1

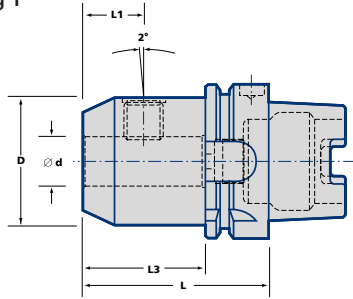
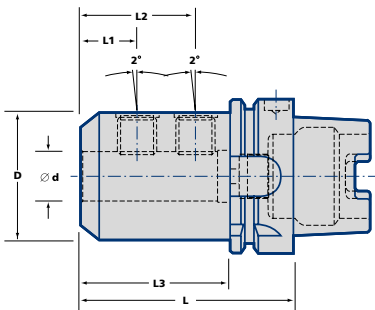


Fig 2



Balanced by Design

Taper	Ordering No.	Stock	fig	d	D	L	L1	L2	L3
63	HSK63A-WN06-080	•	1	6	25	80	18	-	36
	HSK63A-WN08-080	•	1	8	28	80	18	-	36
	HSK63A-WN10-080	•	1	10	35	80	20	-	40
	HSK63A-WN12-090	•	1	12	42	90	22.5	-	45
	HSK63A-WN14-090	•	1	14	44	90	22.5	-	45
	HSK63A-WN16-100	•	1	16	48	90	24	-	48
	HSK63A-WN18-100	•	1	18	50	100	24	-	48
	HSK63A-WN20-100	•	1	20	52	100	25	-	50
	HSK63A-WN25-110	•	2	25	65	110	24	49	56
HSK63A-WN32-110	•	2	32	72	110	24	52	60	
100	HSK100A-WN06-090	•	1	6	25	90	18	-	36
	HSK100A-WN08-090	•	1	8	28	90	18	-	36
	HSK100A-WN10-090	•	1	10	35	90	20	-	40
	HSK100A-WN12-100	•	1	12	42	100	22.5	-	45
	HSK100A-WN14-100	•	1	14	44	100	22.5	-	45
	HSK100A-WN16-100	•	1	16	48	90	24	-	48
	HSK100A-WN18-100	•	1	18	50	100	24	-	48
	HSK100A-WN20-110	•	1	20	52	100	25	-	50
	HSK100A-WN25-120	•	2	25	65	110	24	49	56
	HSK100A-WN32-120	•	2	32	72	110	24	52	60
	HSK100A-WN40-130	•	2	40	90	130	30	62	70

Spare Parts	Sidelock Screws	Stopscrew		
	See page 139	See page 139		

Coolant Tubes and Wrenches - page 134

• = Standard Product - Normally Ex Stock
 ○ = Standard Product - Availability on Request

Packing unit and ordering example: 1 piece HSK63A-WN06-080