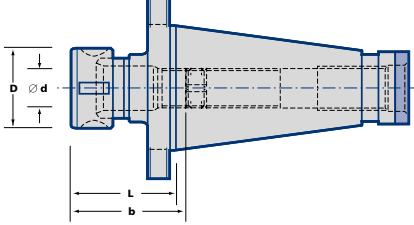
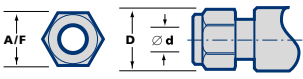














Double Angle Collet Chucks

<p>Fig 1</p>  <p>Fig 2</p> 	Taper	Ordering No.	Stock	Fig.	Collets	Capacity d	L	b	D	A/F									
	30	QC30-DA208-046	•	2	200DA	1-10	46	38-71	28	24									
		QC30-DA108-052	•	2	100DA	2,5-14	52	45-70	37	32									
		QC30-DA188-054	•	1	180DA	3-20	54	54-61	43	-									
	40	QC40-DA208-046	•	2	200DA	1-10	46	38-70	28	24									
		QC40-DA108-052	•	2	100DA	2,5-14	52	45-70	37	32									
		QC40-DA188-054	•	1	180DA	3-20	54	48-85	43	-									
	50	DT50-DA188-057	•	1	180DA	3-20	57	50-100	43	-									
	<p>Spare Parts</p> <table border="1"> <thead> <tr> <th>Wrenches</th> <th>Locknuts</th> <th>Collets</th> <th>Screws</th> </tr> </thead> <tbody> <tr> <td> See page 130</td> <td> See page 138</td> <td> See page 121</td> <td> See page 138</td> </tr> </tbody> </table>											Wrenches	Locknuts	Collets	Screws	 See page 130	 See page 138	 See page 121	 See page 138
	Wrenches	Locknuts	Collets	Screws															
 See page 130	 See page 138	 See page 121	 See page 138																

• = Standard Product - Normally Ex Stock
 ○ = Standard Product - Availability on Request

Packing unit and ordering example: 1 piece QC30-DA208-046