

**Whistle Notch/Sidelock Holders**

Fig 1

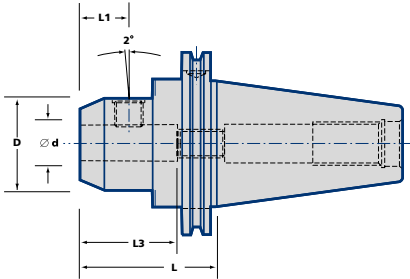
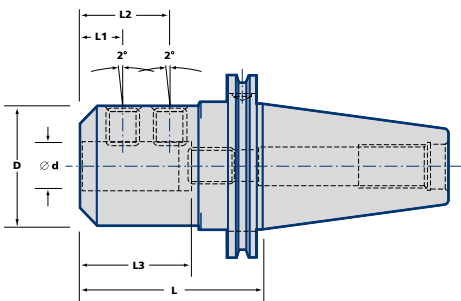


Fig 2



'B' form available  
order example - CV40B-WN06-063

**Balanced by Design**

Taper	Ordering No.	Stock	Fig.	d	D	L	L1	L2	L3
40	CV40-WN06-063	○	1	6	25	63	18	-	40
	CV40-WN08-063	○	1	8	28	63	18	-	40
	CV40-WN10-063	○	1	10	35	63	20	-	45
	CV40-WN12-063	○	1	12	42	63	22,5	-	50
	CV40-WN16-070	○	1	16	48	70	24	-	53
	CV40-WN20-070	○	1	20	52	70	25	-	55
	CV40-WN25-100	○	2	25	65	100	24	49	60
	CV40-WN32-100	○	2	32	72	100	24	52	64
50	CV50-WN10-063	○	1	10	35	63	20	-	45
	CV50-WN12-063	○	1	12	42	63	22,5	-	50
	CV50-WN14-063	○	1	14	44	63	22.5	-	50
	CV50-WN16-063	○	1	16	48	70	24	-	53
	CV50-WN18-063	○	1	18	50	70	24	-	53
	CV50-WN20-100	○	1	20	52	70	25	-	55
	CV50-WN25-100	○	2	25	65	100	24	49	60
	CV50-WN32-100	○	2	32	72	100	24	52	64
	CV50-WN40-110	○	2	40	90	110	30	62	74
	CV50-WN50-120	○	2	50	100	120	35	70	84

**Spare Parts**

Sidelock Screws

Stopscrew



See page 139



See page 139

CV range available with imperial tapping sizes. Please call for availability.

• = Standard Product - Normally Ex Stock  
○ = Standard Product - Availability on Request

Packing unit and ordering example: 1 piece CV40-WN06-063