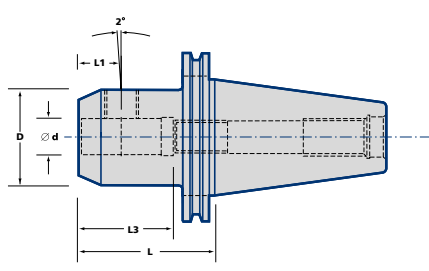
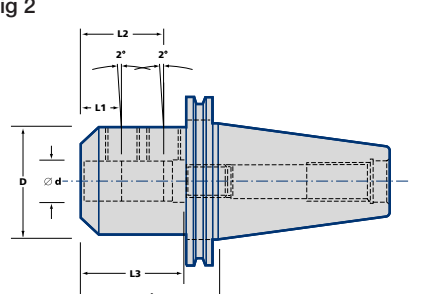
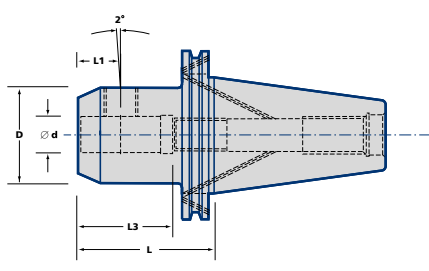
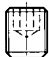
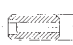


Whistle Notch Sidelock Holders

Fig 1 	Taper	Ordering No.	Stock	fig	d	D	L	L1	L2	L3
	Fig 2 	40	DV40-WN06-050	•	1	06	25	50	18	-
DV40-WN08-050			○	1	08	28	50	18	-	40
DV40-WN10-050			•	1	10	35	50	20	-	45
DV40-WN12-050			•	1	12	42	50	22,5	-	50
DV40-WN14-050			○	1	14	44	50	22,5	-	50
DV40-WN16-063			•	1	16	48	63	24	-	53
DV40-WN18-063			○	1	18	50	63	24	-	53
DV40-WN20-063			•	1	20	52	63	25	-	55
DV40-WN25-100			•	2	25	65	100	24	49	60
DV40-WN32-100			•	2	32	72	100	24	52	64
Fig 3 	50	DV50-WN06-063	○	1	06	25	63	18	56	40
		DV50-WN08-063	○	1	08	28	63	18	-	40
		DV50-WN10-063	•	1	10	35	63	20	-	45
		DV50-WN12-063	•	1	12	42	63	22,5	-	50
		DV50-WN14-063	○	1	14	44	63	22,5	-	50
		DV50-WN16-063	•	1	16	48	63	24	-	53
		DV50-WN18-063	○	1	18	50	63	24	-	53
		DV50-WN20-063	•	1	20	52	63	25	-	55
		DV50-WN25-080	•	2	25	65	80	24	49	60
		DV50-WN32-100	•	2	32	72	100	24	52	64

'B' Form Available
Order Example: DV40B-WN16-063

Balanced by Design

Spare Parts	Sidelock Screws	Stopscrew		
	 See page 139	 See page 139		

• = Standard Product - Normally Ex Stock
○ = Standard Product - Availability on Request

Packing unit and ordering example: 1 piece DV40-WN06-050